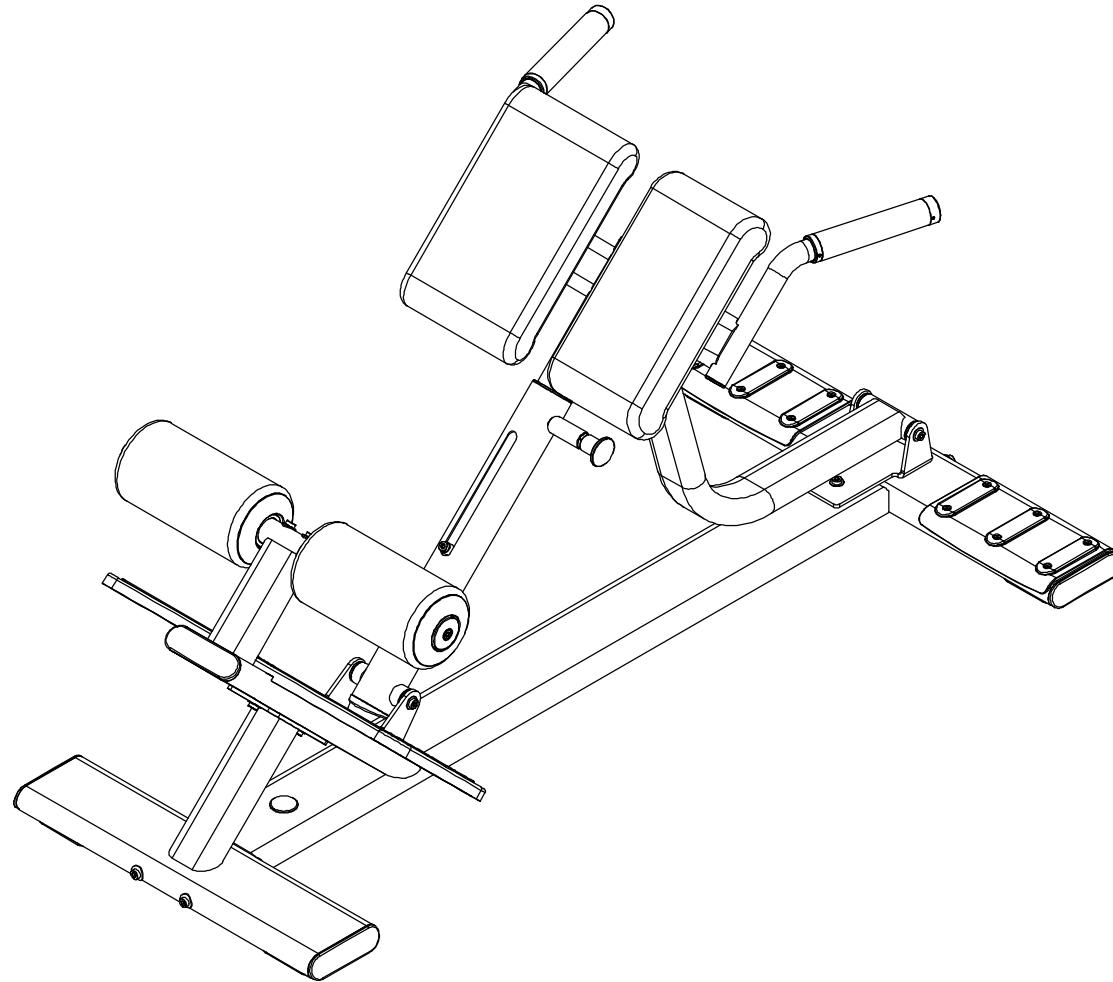


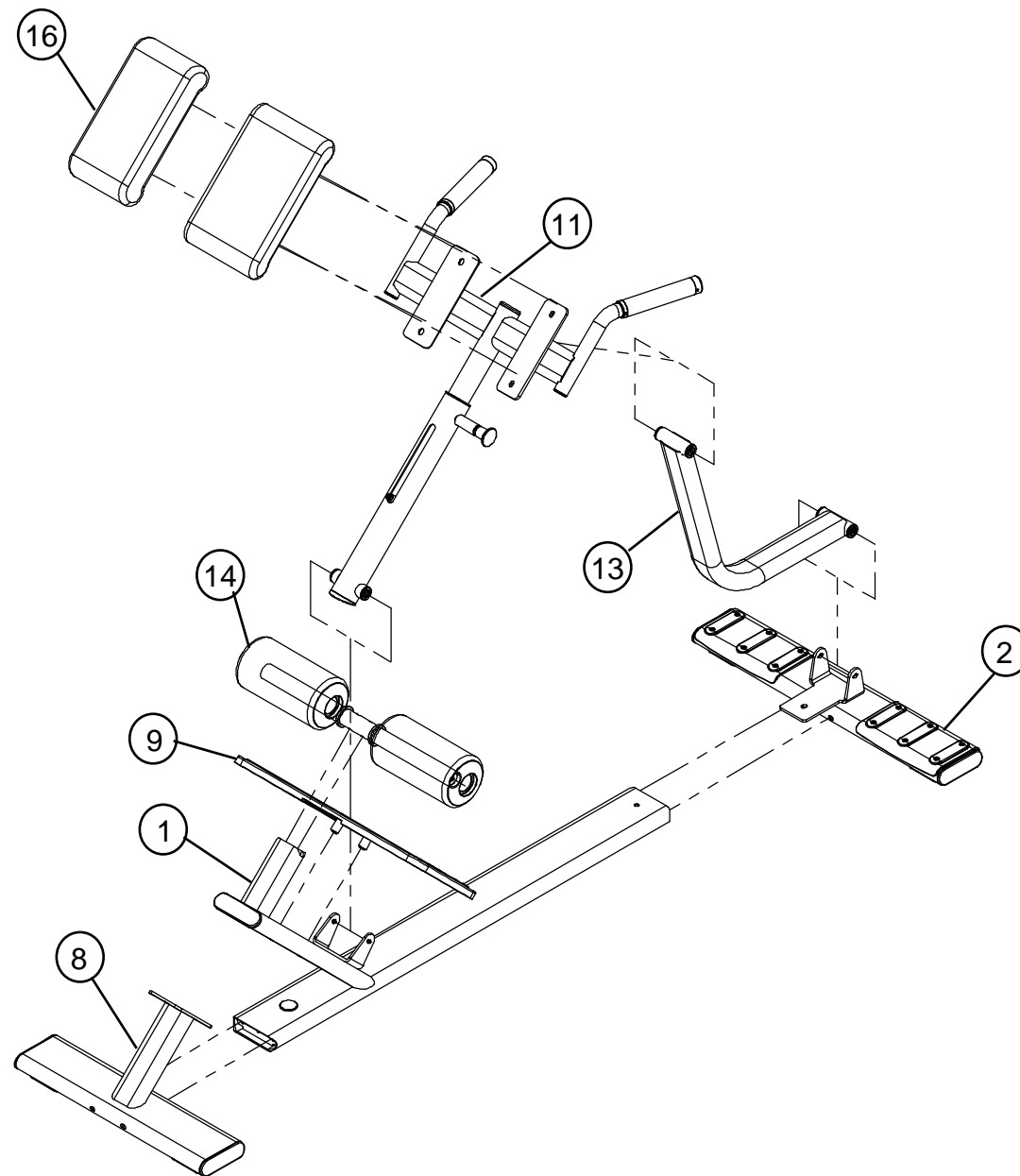
# ***BACK EXTENSION BENCH***



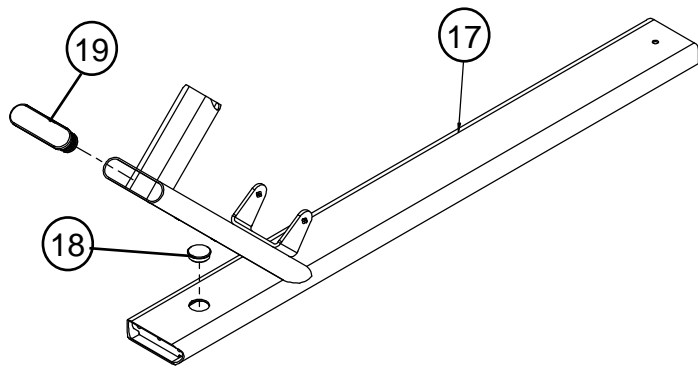
# PARTS LIST

ITEM	QTY.	PART NO.	Paragon P/N	DESCRIPTION	CHINESE DESCRIPTION
1	1	53140PA-A	P20-3120	PTD ASSY, BEB BASE	底管組
2	1	53053PA-A	P20-3121	PTD ASSY, FRONT LEG	后橫管組
3	6	2003001		WASHER, 3/8" SAE CURVED	弧形華司
4	4	2006424		BOLT, 3/8-16 X 6-1/4" (159mm) SOCKET HEAD W/NP	六角承窩螺絲 3/8"x 6-1/4"L 點耐落
5	14	2001101		WASHER, FLAT 3/8 SAE ST ZN	平面華司 20X10.5X1.0T
6	1	2005403		BOLT, 3/8-16 X 1" (25mm) SOCKET HEAD	六角承窩螺絲 3/8"x 1"L
7	1	2001201		NUT, 3/8-16 LK ST ZN	尼龍螺帽3/8"-16x11T
8	1	53197PA-B	P20-3122	PTD ASSY, BEB REAR LEG	前橫管組
9	1	53157PA-A	P20-3123	PTD ASSY, FOOT PLATE	腳踏板組
10	6	2006405		BOLT, 3/8-16 X 1-1/2" (38mm) SOCKET HEAD W/NP	內六角承窩螺絲 3/8"X 1 1/2"L 點耐落
11	1	5314401-C	P20-3126	ASSY, BEB FRAME	調整把手管組
12	6	2006404		BOLT, 3/8-16 X 1-1/4" (32mm) SOCKET HEAD W/NP	六角承窩螺絲 3/8"x 1-1/4"L 點耐落
13	1	53152PA-B	P20-3127	PTD ASSY, BEB SLIDE ADJUST	補強管組
14	1	52885PA-A		PTD ASSY, BEB ROLLER PAD SUPPORT	泡棉管組
15	2	2006408		BOLT, 3/8-16 X 2-1/4" (57mm) SOCKET HEAD W/NP	六角承窩螺絲 3/8"x 2-1/4"L 點耐落
16	2	5316001-A	P07-0452	PAD, BEB THIGH	肘墊
17	1		P04-2957	BEB BASE	底管
18	1		P06-0134	CAP, HOLE	扣塞
19	1	5205401-A	P06-2129	END CAP, FLATOVAL	橢圓管塞
20	1		P04-2960	FRONT LEG	后橫管
21	2	5226901-A	P06-2136	TREAD COVER	腳墊
22	1	5271701-A	P06-2204	FOOT PAD	腳墊
23	8			RIVET	拉釘
24	12	2004802		SCREW, 10-32 X 1/2" (12MM) PAN HEAD W/NP	大扁頭十字螺絲#10-32x1/2"L 點耐落
25	1		P04-2959	BEB REAR LEG	前橫管
26	1	53145PA	P20-3124	SUB ASSY, BEB FRAME	把手管組
27	1	53150PA	P20-3125	HANDLE ADJUSTMENT	外調整管組
28	1	5234801-A	P03-2019	SPACER	套管
29	1	5315601	P03-2045	SHAFT	鐵心
30	1	5226801-A	P06-2130	ROUND END CAP	圓管內塞
31	1	5307001	P06-2289	CUSHION	塑膠墊
32	4			BOLT, 3/8-16 X 1" (25mm) SOCKET HEAD W/NP	六角承窩螺絲 3/8"x 1"L 點耐落
33	1		P04-2956	BEB FRAME WELDMENT	把手管
34	2	5096601-B	P05-0996	ALUMINUM CAP	鋁蓋
35	2	5096301-B	P05-0997	COLLAR	鋁環
36	1		P06-0349	ROUND END CAP	圓管內塞
37	2		P06-0358	ROUND END CAP	圓管內塞
38	2	5208801-A	P06-2216	HAND GRIP	把手套
39	8			SET SCREW M4x3mmL	止付螺絲
40	1		P04-2958	HANDLE ADJUSTMENT WELDMENT	外調整管組

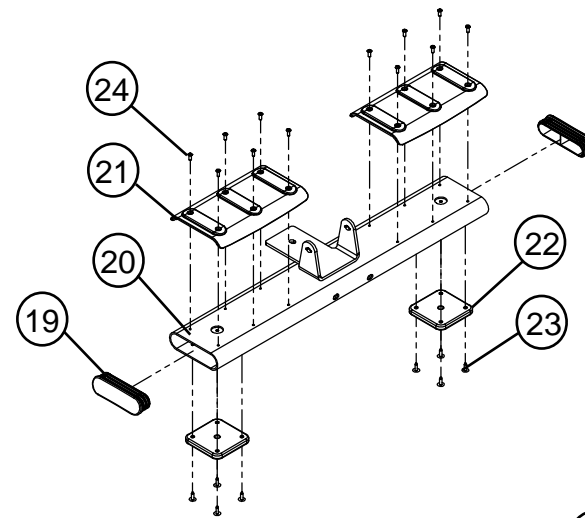
41	1	523401-B	P06-2131	SLEEVE	中管塞
42	6		P08-0048	BUSHING	含油軸承
43	1	5297801-B	P11-0189	ADJUSTMENT PIN	彈簧插鞘組
44	1			SCREW, 10-32 X 5MM) PAN HEAD W/NP	大扁頭十字螺絲#10-32x 5MML 點耐落
45	1		P04-2963	BEB SLIDE ADJUST WELDMENT	補強管
46	2	5246701-D	P06-2169	PAD, SHORT ROLLER	泡棉管組
47	2	5222201-A	P05-0978	CAP, AL ROLLER PAD	鋁華司
48	1		P04-2961	BEB ROLLER PAD SUPPORT	泡棉管
49	1		P04-2962	FOOT PLATE WELDMENT	腳踏板
50	1		P06-2288	FOOT PLATE RUBBER PAD	腳墊



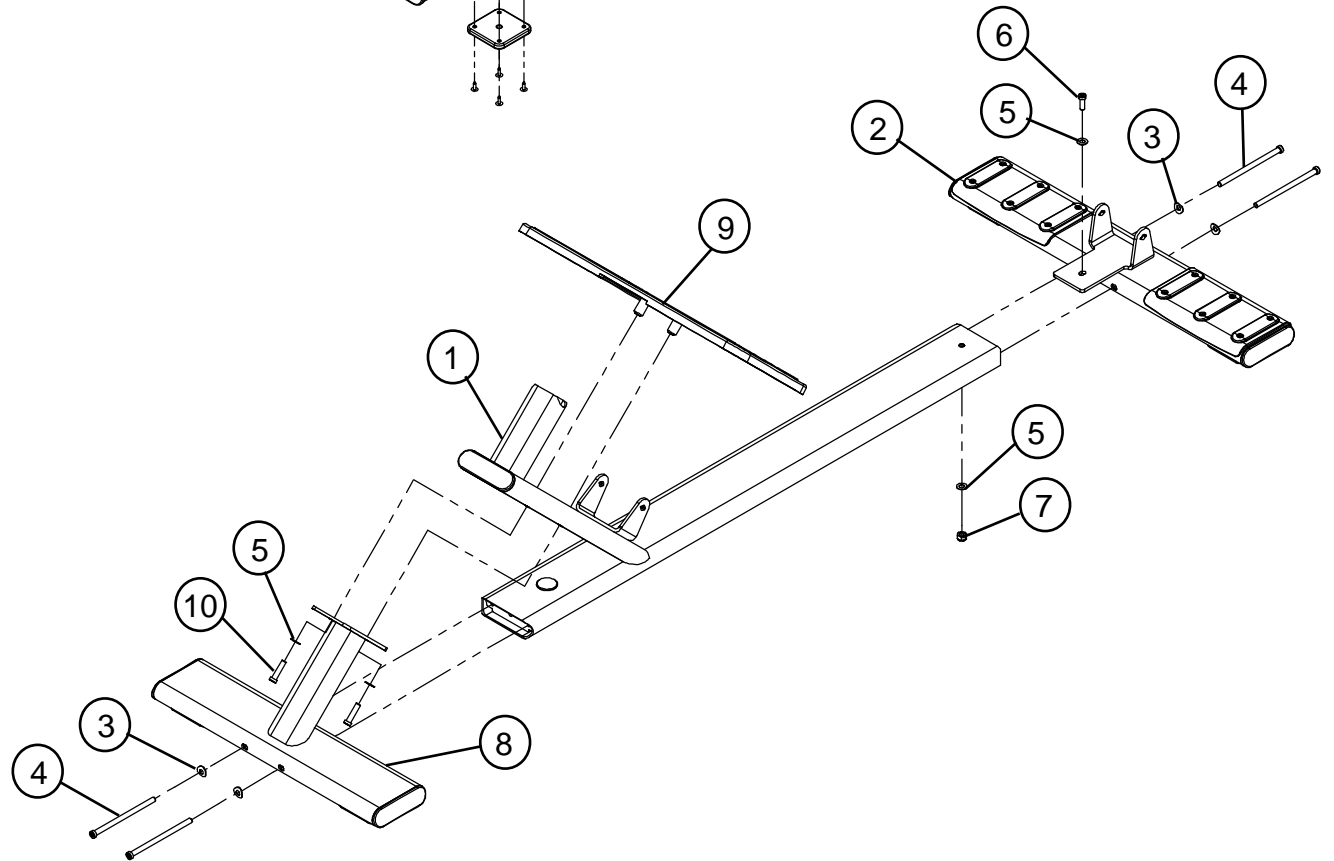
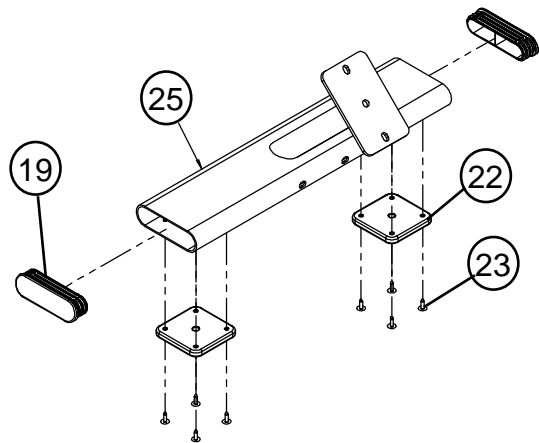
#1 P/N 53140PA-A PTD ASSY, BEB BASE



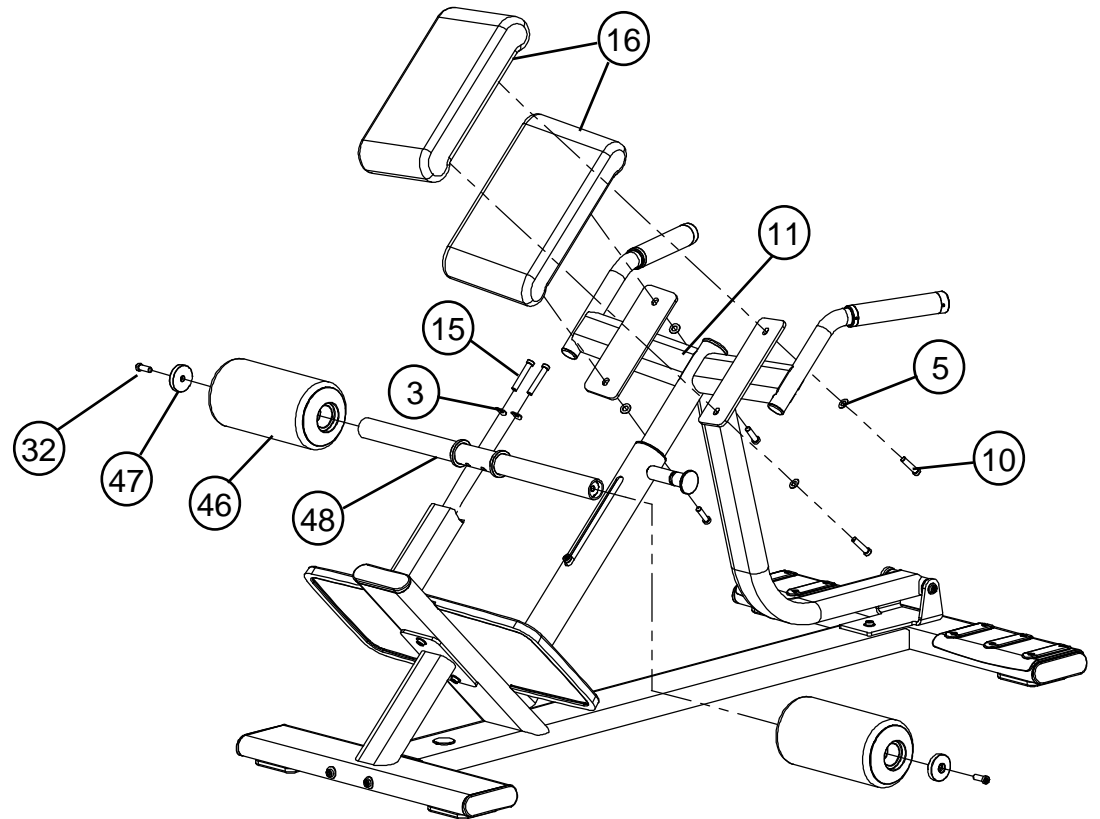
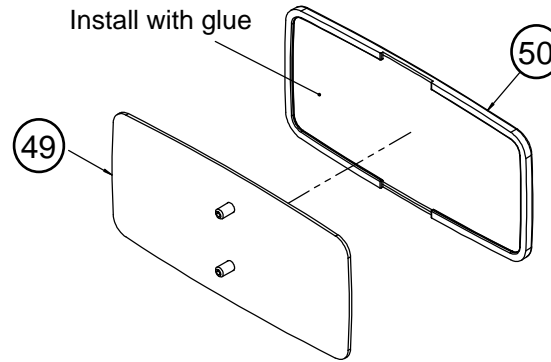
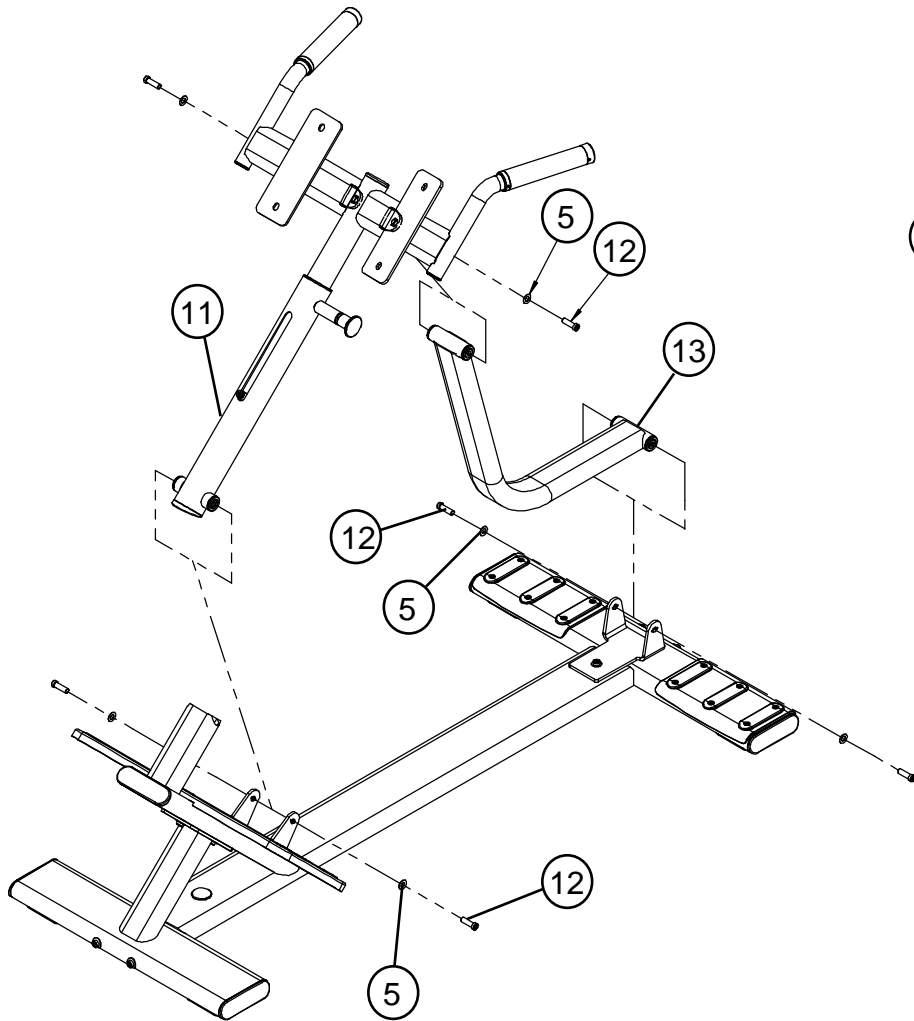
#2 P/N 53053PA-A PTD ASSY, FRONT LEG



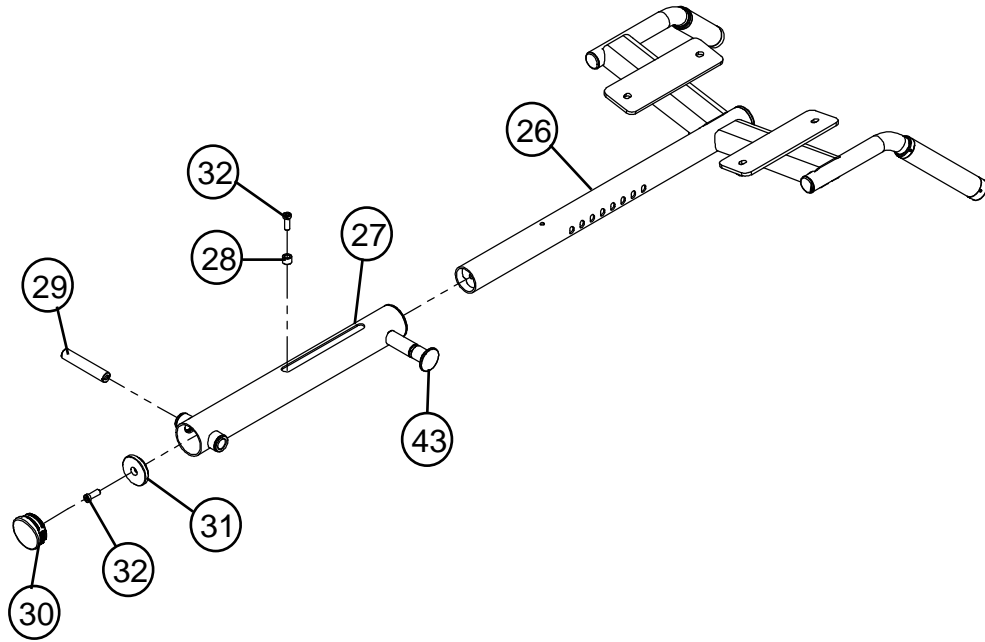
#8 P/N 53197PA-B PTD ASSY, BEB REAR LEG



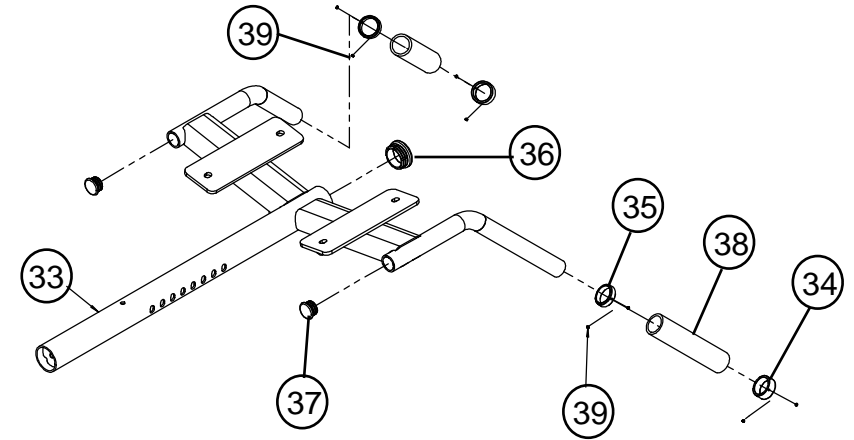
#9 P/N 53157PA-A PTD ASSY, FOOT PLATE



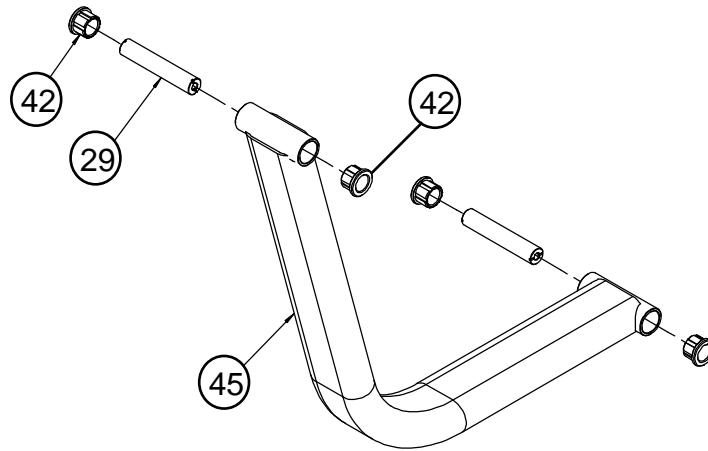
#11 P/N 5314401-C ASSY, BEB FRAME



#26 P/N 53145PA SUB ASSY, BEB FRAME



#13 P/N 53152PA-B PTD ASSY, BEB SLIDE ADJUST



#27 P/N 53150PA ASSY, HANDLE ADJUSTMENT

