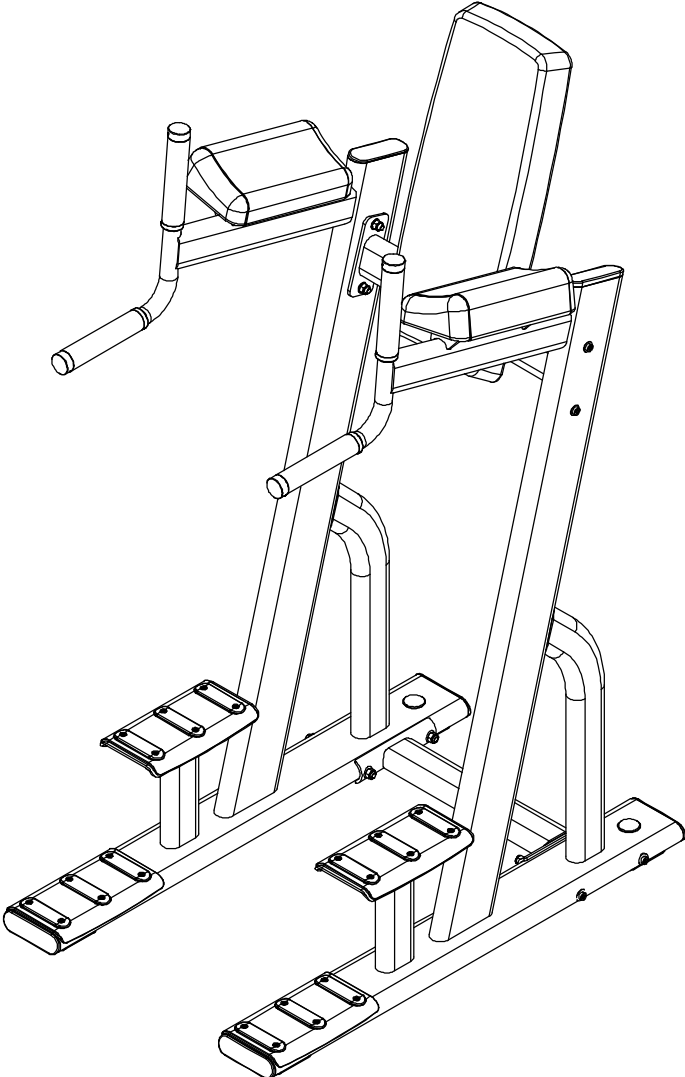


# ***VERTICAL KNEE RAISE DIP***



# PARTS LIST

ITEM	QTY.	PART NO.	Paragon P/N	DESCRIPTION	CHINESE DESCRIPTION
1	1	53078PA-B	P20-3141	PTD ASSY, VKRD UPRIGHT LFT	立管組左
2	1	53088PA-B	P20-3142	PTD ASSY, VKRD UPRIGHT RHT	立管組右
3	1	5308101-A	P04-2953	WLDMT, BASE SUPPORT	下連接管組
4	1	53084PA-A	P20-3143	PTD ASSY, BACK PAD SUPPORT	上連接管組
5	4	2005409		BOLT, 3/8-16 X 2-1/2" (64mm) SOCKET HEAD	六角承窩螺絲 3/8"x 2 1/2"L
6	8	2001201		NUT, 3/8-16 LK ST ZN	尼龍螺帽3/8"-16x11T
7	14	2001101		WASHER, FLAT 3/8 SAE ST ZN	平面華司 20X10.5X1.0T
8	4	2005424		BOLT, 3/8-16 X 6-1/4" (159mm) SOCKET HEAD	六角承窩螺絲 3/8"x 6-1/4"L
9	8	2003001		WASHER, 3/8" SAE CURVED	弧形華司
10	2	5308601-B	P07-0449	PAD, VKRD ARM	肘墊
11	4	2006405		BOLT, 3/8-16 X 1-1/2" (38mm) SOCKET HEAD W/NP	六角承窩螺絲 3/8"x 1 1/2"L 點耐落
12	1	5308501-A	P07-0450	PAD, MEDIUM BACK	背墊
13	2	2006410		BOLT, 3/8-16 X 2-3/4" (70mm) SOCKET HEAD W/NP	六角承窩螺絲 3/8"x 2-3/4"L 點耐落
14	1	5308801-B	P04-2950	VKRD UPRIGHT RHT WELDMENT	右立管組
15	4	5096601-B	P05-0996	ALUMINUM CAP	鋁蓋
16	4	5096301-B	P05-0997	ALUMINUM COLLAR	鋁環
17	2	5249001	P06-0134	CAP, HOLE	扣塞
18	6	5205401-A	P06-2129	END CAP, FLATOVAL	橢圓管塞
19	4	5226901-A	P06-2136	TREAD COVER	腳墊
20	4	5271701-A	P06-2204	FOOT PAD	腳墊
21	4	5208801-A	P06-2216	HAND GRIP	把手套
22	24	2004802		SCREW, 10-32 X 1/2" (12MM) PAN HEAD W/NP	大扁頭十字螺絲#10-32x1/2"L 點耐落
23	16			RIVET	拉釘
24	16			Set Screw M4 x 3mmL	止付螺絲
25	1	5307801	P04-2951	VKRD UPRIGHT LFT WELDMENT	左立管組
26	1	5308401	P04-2952	BACK PAD SUPPORT WELDMENT	上連接管組
27	1		A06-0529	FLATOVAL END CAP	橢圓管塞

#4 P/N 53084PA-A PTD ASSY, BACK PAD SUPPORT

#1 P/N 53088PA-B PTD ASSY, VKRD UPRIGHT RHT

#1 P/N 53078PA-A PTD ASSY, VKRD UPRIGHT LFT

