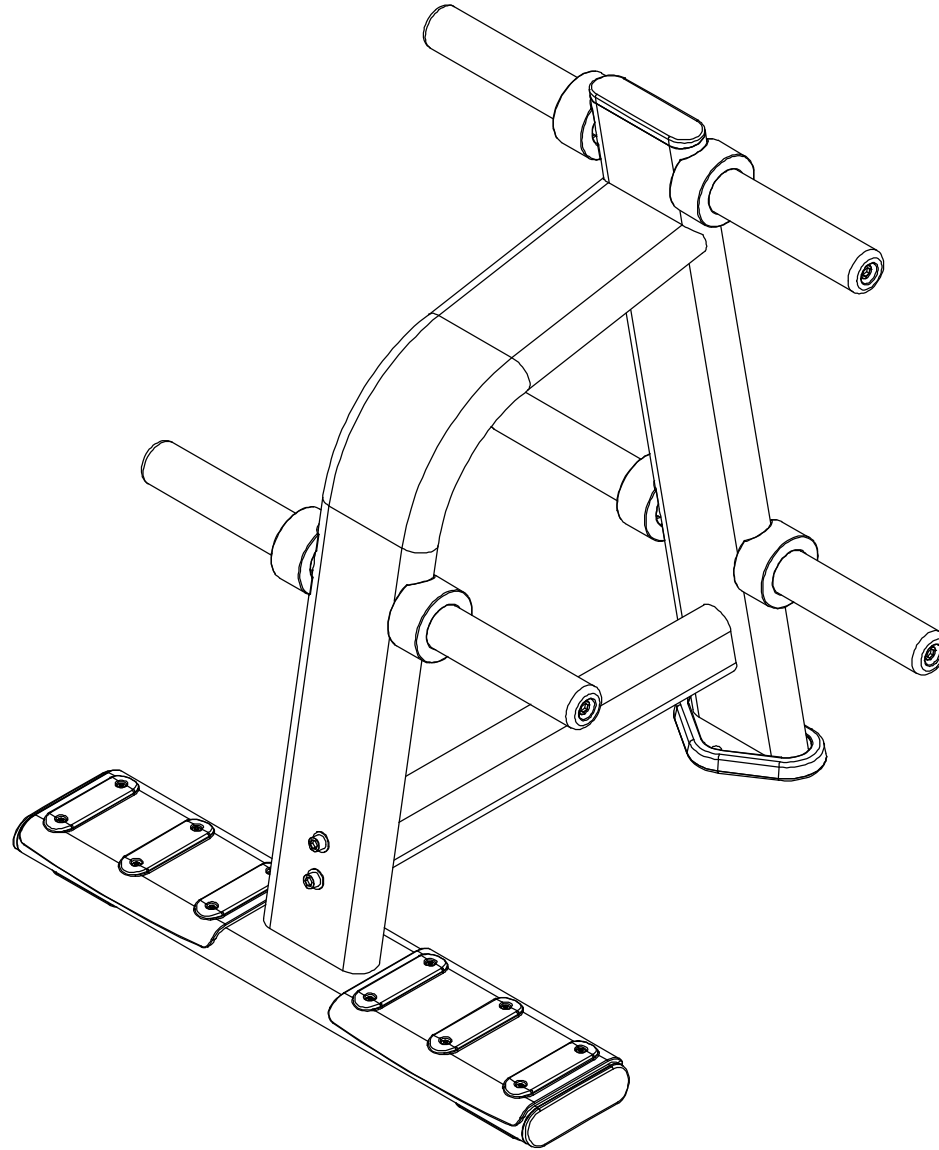
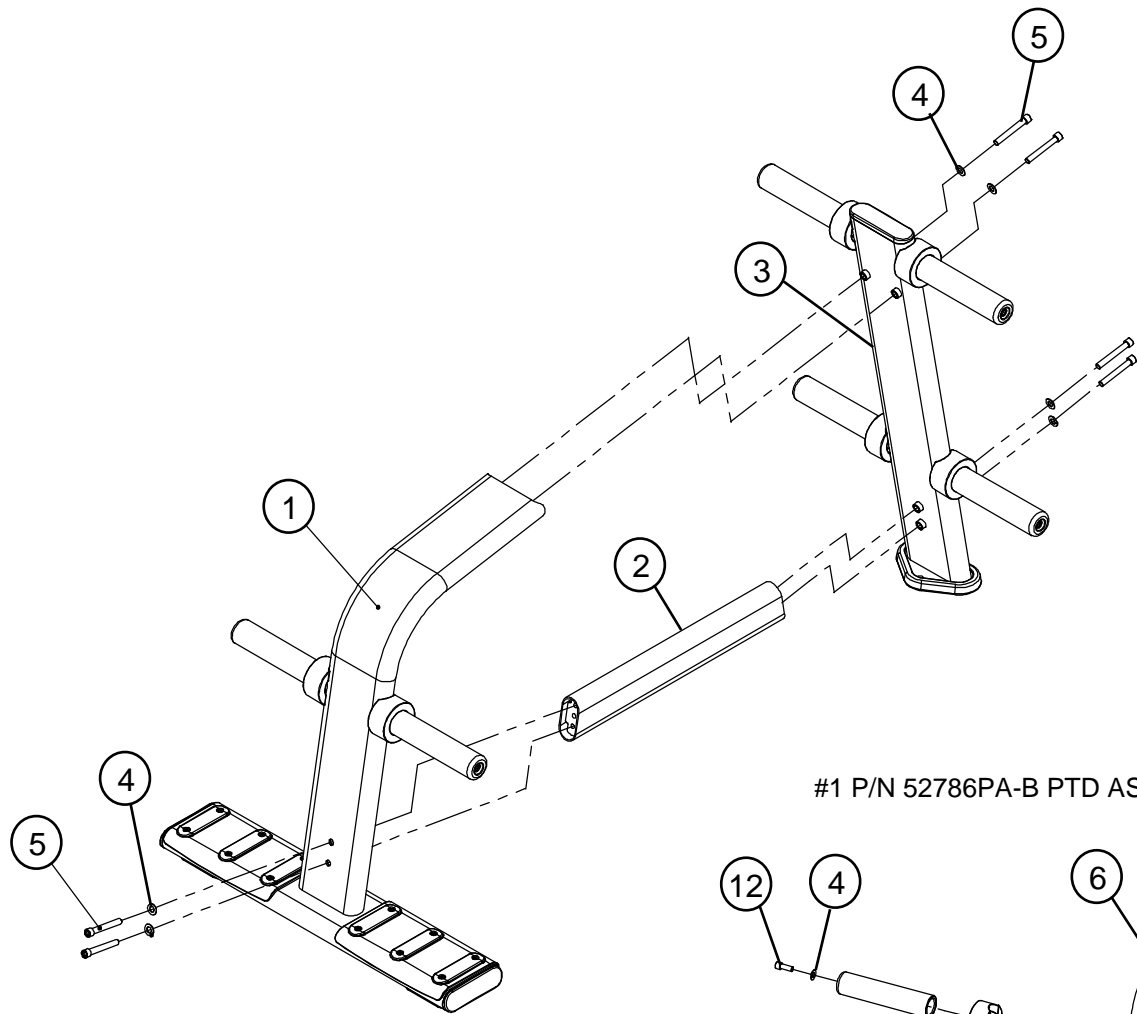


OLYMPIC PLATE TREE

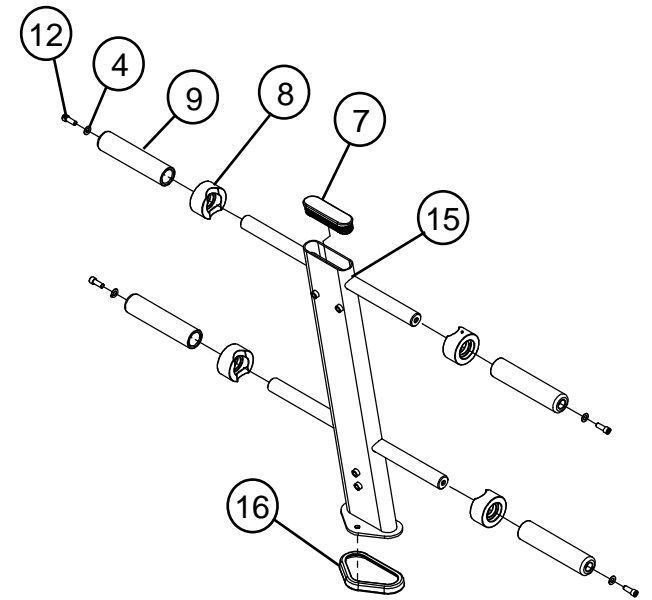


PARTS LIST

| ITEM | QTY. | PART NO. | Paragon P/N | DESCRIPTION | CHINESE DESCRIPTION |
|------|------|-----------|-------------|---|---------------------------|
| 1 | 1 | 52786PA-B | P20-2950 | PTD ASSY, OPT REAR UPRIGHT | 立管組 |
| 2 | 1 | 5278801-A | P04-2808 | WLDMT, OPT CROSS BRACE | 支撐管組 |
| 3 | 1 | 52781PA-A | P20-2949 | PTD ASSY, OPT FRONT UPRIGHT | 立管組 |
| 4 | 6 | 2001101 | | WASHER, FLAT 3/8 SAE ST ZN | 平面華司 20X10.5X1.0T |
| 5 | 6 | 2006410 | | BOLT, 3/8-16 X 2-3/4" (70mm) SOCKET HEAD W/NP | 內六角承窩螺絲 3/8"X 2 3/4"L 點耐落 |
| 6 | 1 | 5278601-B | P04-2807 | OPT REAR UPRIGHT WELDMENT | 立管組 |
| 7 | 2 | 5205401-A | P06-2129 | END CAP, FLATOVAL | 橢圓管塞 |
| 8 | 2 | 5278401-A | P06-2206 | WEIGHT PLATE CUSHION | 緩衝墊 |
| 9 | 2 | 5278501-B | P06-2207 | PLASTIC SLEEVE | 塑膠管 |
| 10 | 2 | 5271701-A | P06-2204 | FOOT PAD | 腳墊 |
| 11 | 2 | 5226901-A | P06-2136 | TREAD COVER | 腳墊 |
| 12 | 2 | 2006403 | | BOLT, 3/8-16 X 1" (25mm) SOCKET HEAD W/NP | 六角承窩螺絲 3/8"x 1"L 點耐落 |
| 13 | 12 | 2004802 | | SCREW, 10-32 X 1/2" (12MM) PAN HEAD W/NP | 大扁頭十字螺絲#10-32x1/2"L 點耐落 |
| 14 | 8 | | | RIVET | 拉釘 |
| 15 | 1 | 5278101-A | P04-2806 | OPT FRONT UPRIGHT WELDMENT | 立管組 |
| 16 | 1 | 5257201-A | P06-2203 | RUBBER FOOT PAD | 橡膠墊 |



#1 P/N 52781PA-A PTD ASSY, OPT FRONT UPRIGHT



#1 P/N 52786PA-B PTD ASSY, OPT REAR UPRIGHT

